

公開

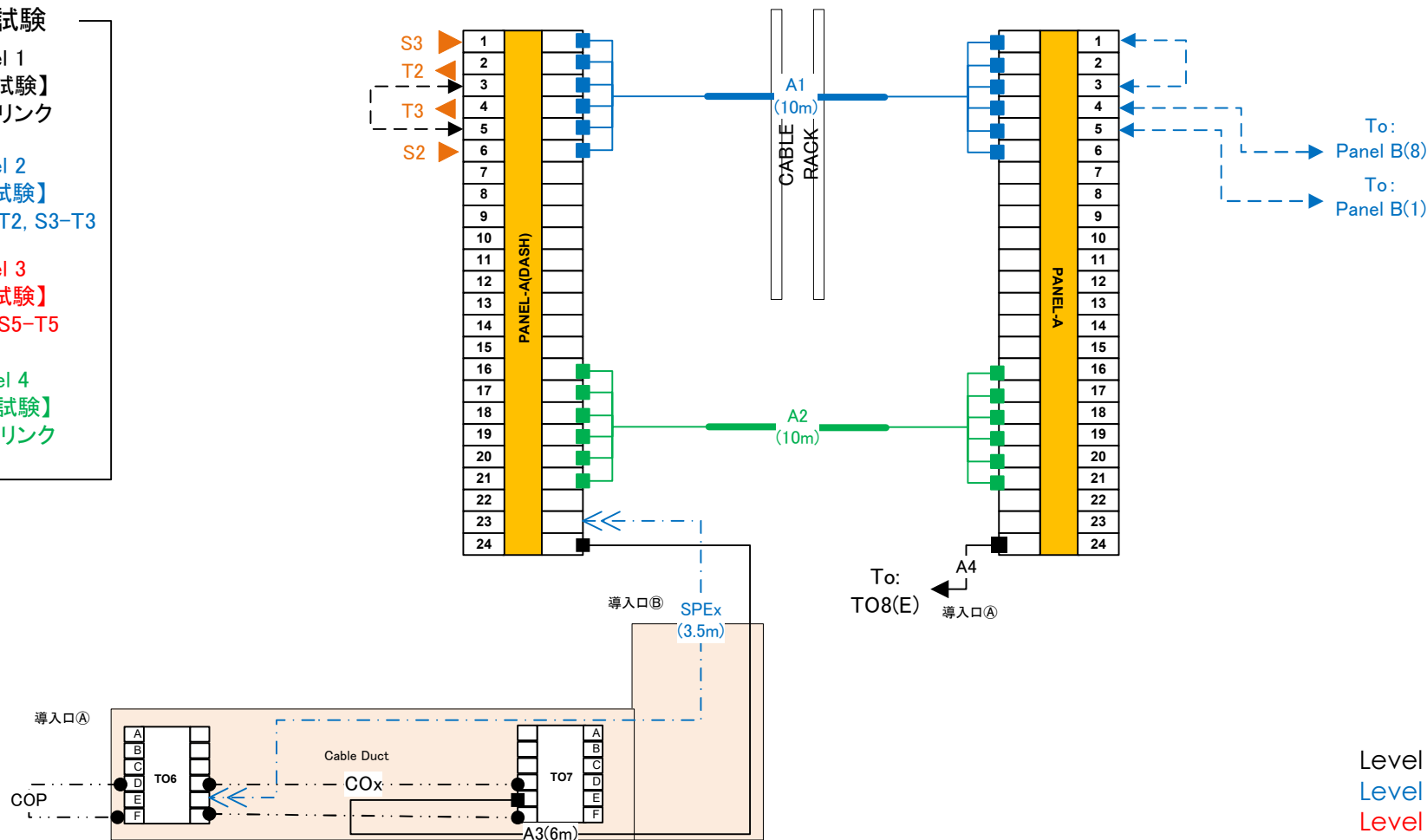
測定試験

Level 1
【導通試験】
全てのリンク

Level 2
【DSX試験】
S1-T1, S2-T2, S3-T3

Level 3
【DSX試験】
S4-T4, S5-T5

Level 4
【導通試験】
全てのリンク



Level 1:
Level 2:
Level 3:
Level 4:

本数は自由に追加

Legend

- : Modular Jack Termination
- : Modular Plug Termination
- : Coaxial Termination

Front Side

1	
2	

 Back Side

- : Solid 4P
- : Strand 4P
- : Solid 1P
- : Solid 24P
- : Coaxial
- : Flexible duct

【ケーブル記号】ラベル名

- | | |
|-----------------|---------------------------|
| [MC-1]: A1/A2 | [MC-5]: 適宜 |
| [MC-2]: B1x/B2x | [MC-6]: A3/A4/B3/B4/B5/B6 |
| [MC-3]: C1x/C5 | [MC-7]: C2/C4 |
| [MC-3']: C3x | [MC-8]: COx/COP |
| [MC-4]: 適宜 | [Solid 1P]: SPEx |

INFORMATION NETWORK CABLING

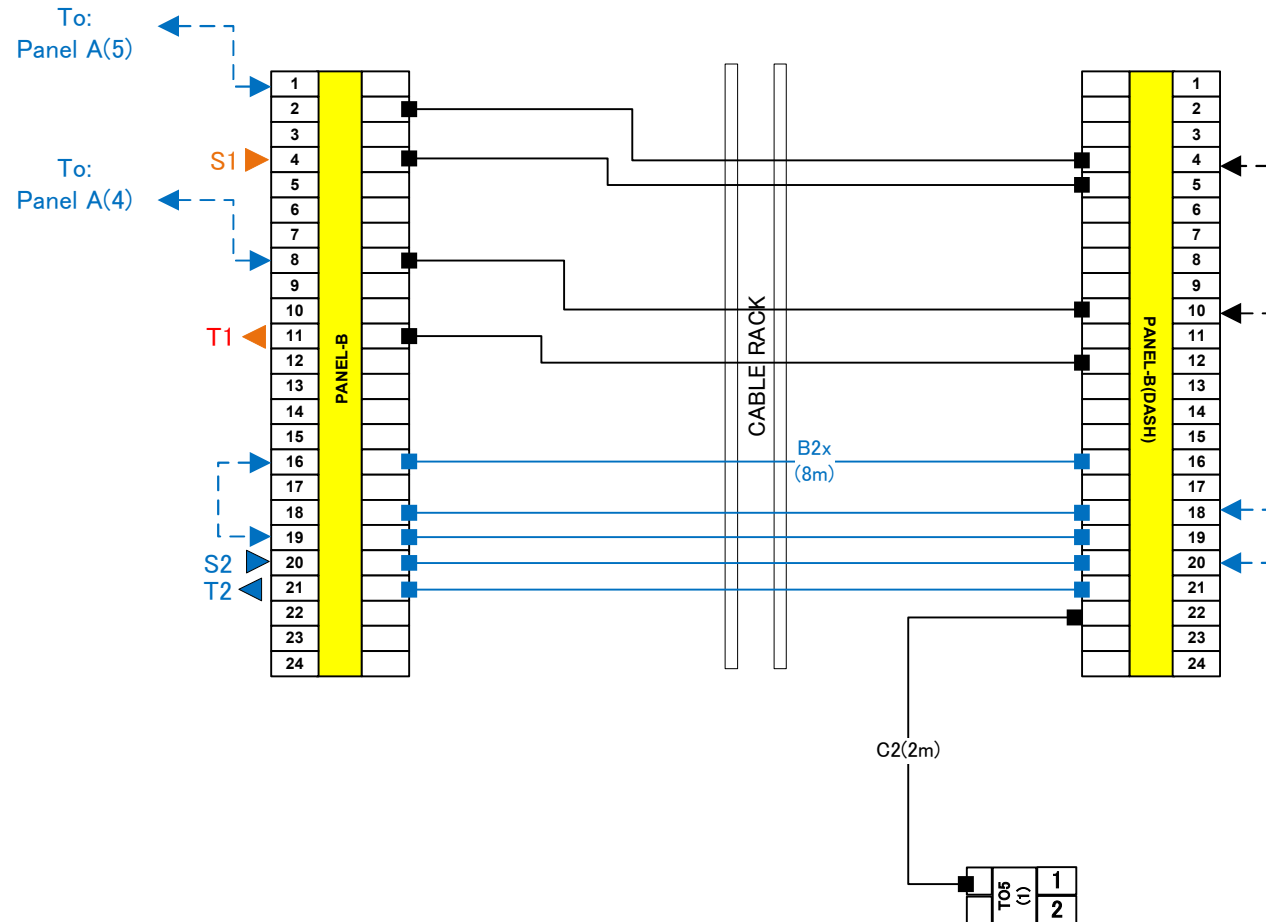
FIG.No.

Fig.M3M_Panel A

Module3: Copper Cable Connections Diagram



DATE: 2021/09/21



Level 1:
Level 2:
Level 3:
Level 4:

本数は自由に追加
本数は自由に追加

Legend

- : Modular Jack Termination
- ◄ : Modular Plug Termination
- : Coaxial Termination

Front Side

1	
2	

 Back Side

- : Solid 4P
- - - : Strand 4P
- · · : Solid 1P
- : Solid 24P
- - - : Coaxial
- ◻ : Flexible duct

[ケーブル記号]:ラベル名

- [MC-1]: A1/A2
- [MC-2]: B1x/B2x
- [MC-3]: C1x/C5
- [MC-3']: C3x
- [MC-4]: 適宜
- [MC-5]: 適宜
- [MC-6]: A3/A4/B3/B4/B5/B6
- [MC-7]: C2/C4
- [MC-8]: COx/COP
- [Solid 1P]: SPEx

INFORMATION NETWORK CABLING

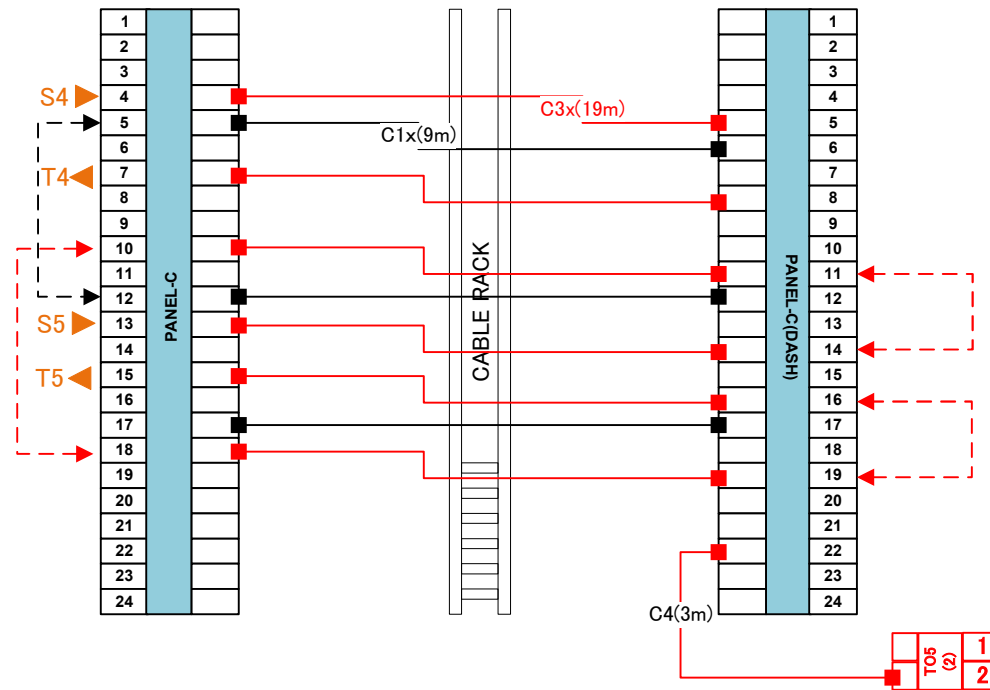
FIG.No.

Fig.M3M_Panel B

Module3: Copper Cable Connections Diagram



DATE: 2021/09/21



本数は自由に追加

Level 1:
Level 2:
Level 3:
Level 4:

Legend

- : Modular Jack Termination
- : Modular Plug Termination
- : Coaxial Termination

Front Side

1	2
---	---

 Back Side

- : Solid 4P
- : Strand 4P
- : Solid 1P
- : Solid 24P
- : Coaxial
- : Flexible duct

【ケーブル記号】:ラベル名

- [MC-1]: A1/A2
- [MC-2]: B1x/B2x
- [MC-3]: C1x/C5
- [MC-3']: C3x
- [MC-4]: 適宜
- [MC-5]: 適宜
- [MC-6]: A3/A4/B3/B4/B5/B6
- [MC-7]: C2/C4
- [MC-8]: COx/COP
- [Solid 1P]: SPEx

INFORMATION NETWORK CABLING

FIG.No.

Fig.M3M_PANEL C

Module3: Copper Cable Connections Diagram



DATE: 2021/09/21

MAIN Rack

1		1
2		2
3	Panel C	3
4		4
5	Management Panel	5
6		6
7		7
8		8
9		9
10	Panel A	10
11	Management Panel	11
12		12
13		13
14		14
15		15
16	Panel B	16
17		17
18		18
19		19
20		20
21		21
22		22
23		23
24		24
25		25
26		26
27		27
28		28

マネジメント・パネルの
配置は自由

SUB Rack

1		1
2		2
3	Panel A(DASH)	3
4	Management Panel	4
5		5
6	Panel B (DASH)	6
7		7
8		8
9	Panel C(DASH)	9
10		10
11		11
12		12

公開

Legend

--	--	--

INFORMATION NETWORK CABLING

FIG.No.

Fig.M3M_location

Module3: Mounting Position



DATE: 2021/09/21