

Use two M4 screws on bottom
Part no. 14

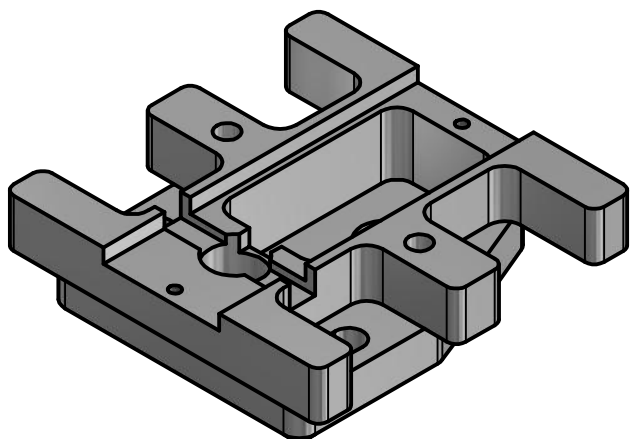
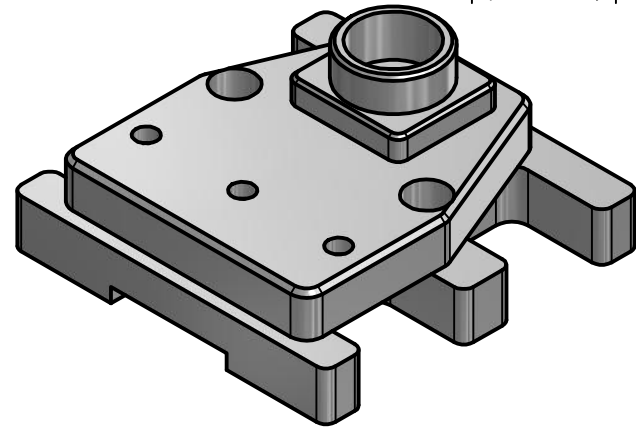
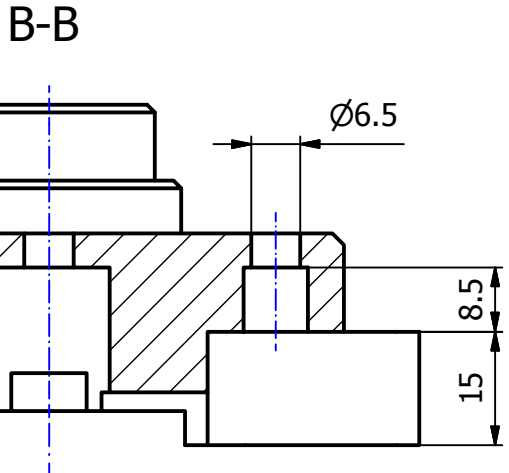
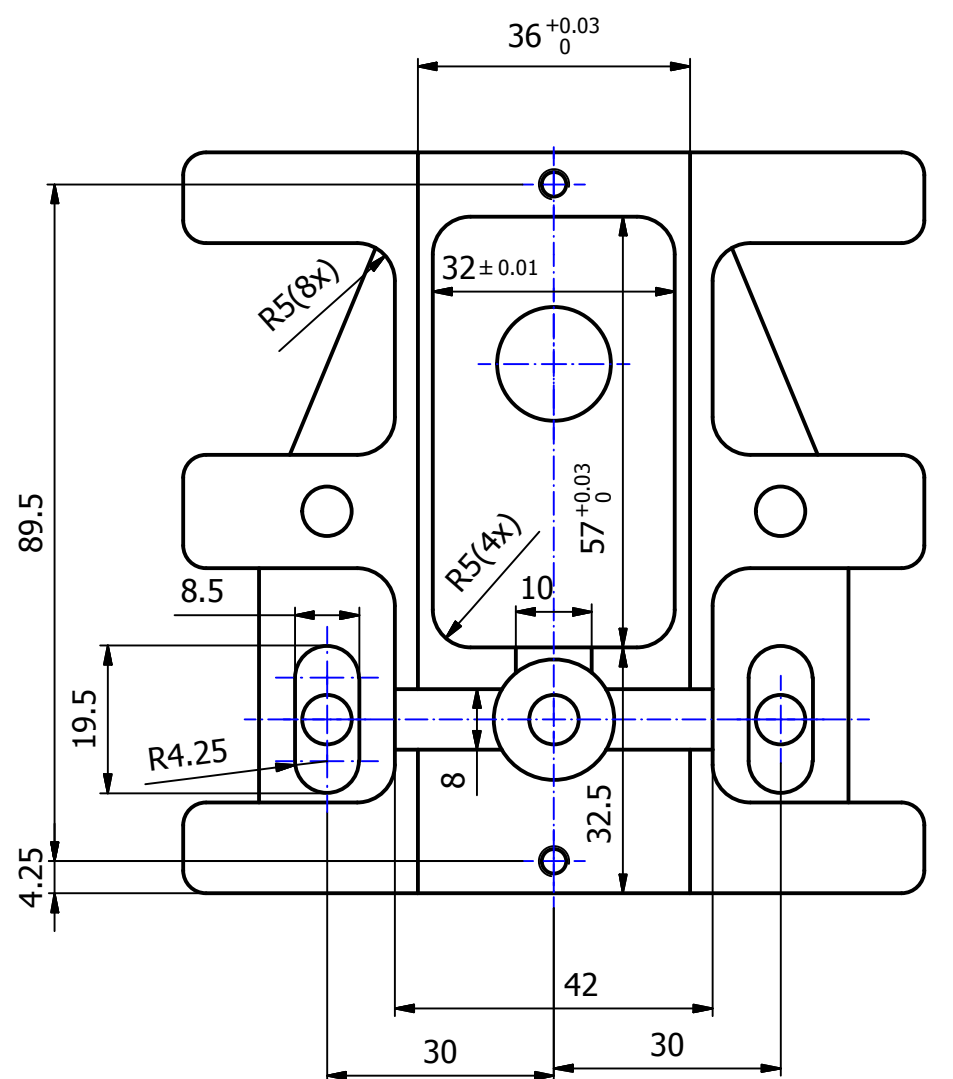
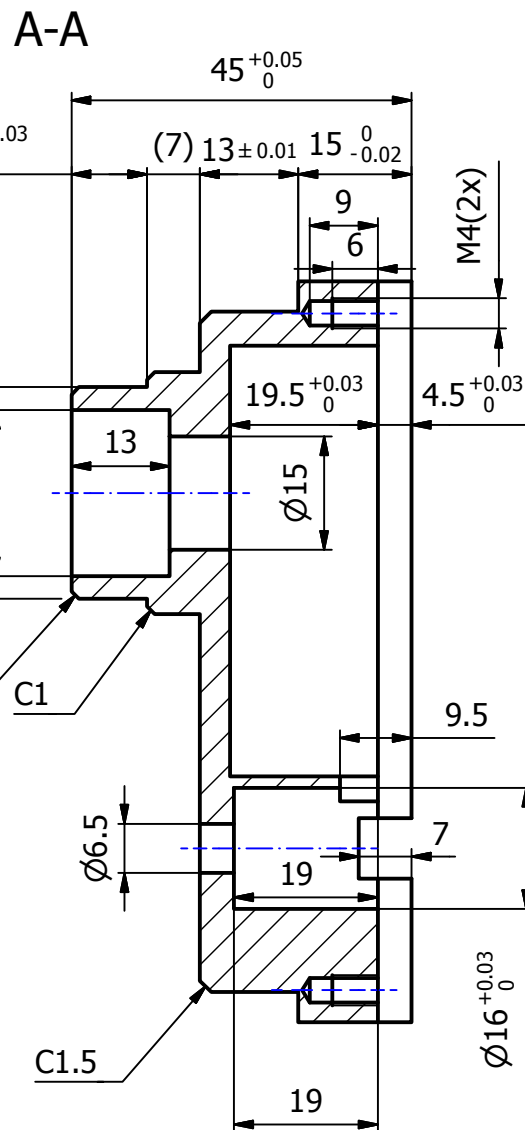
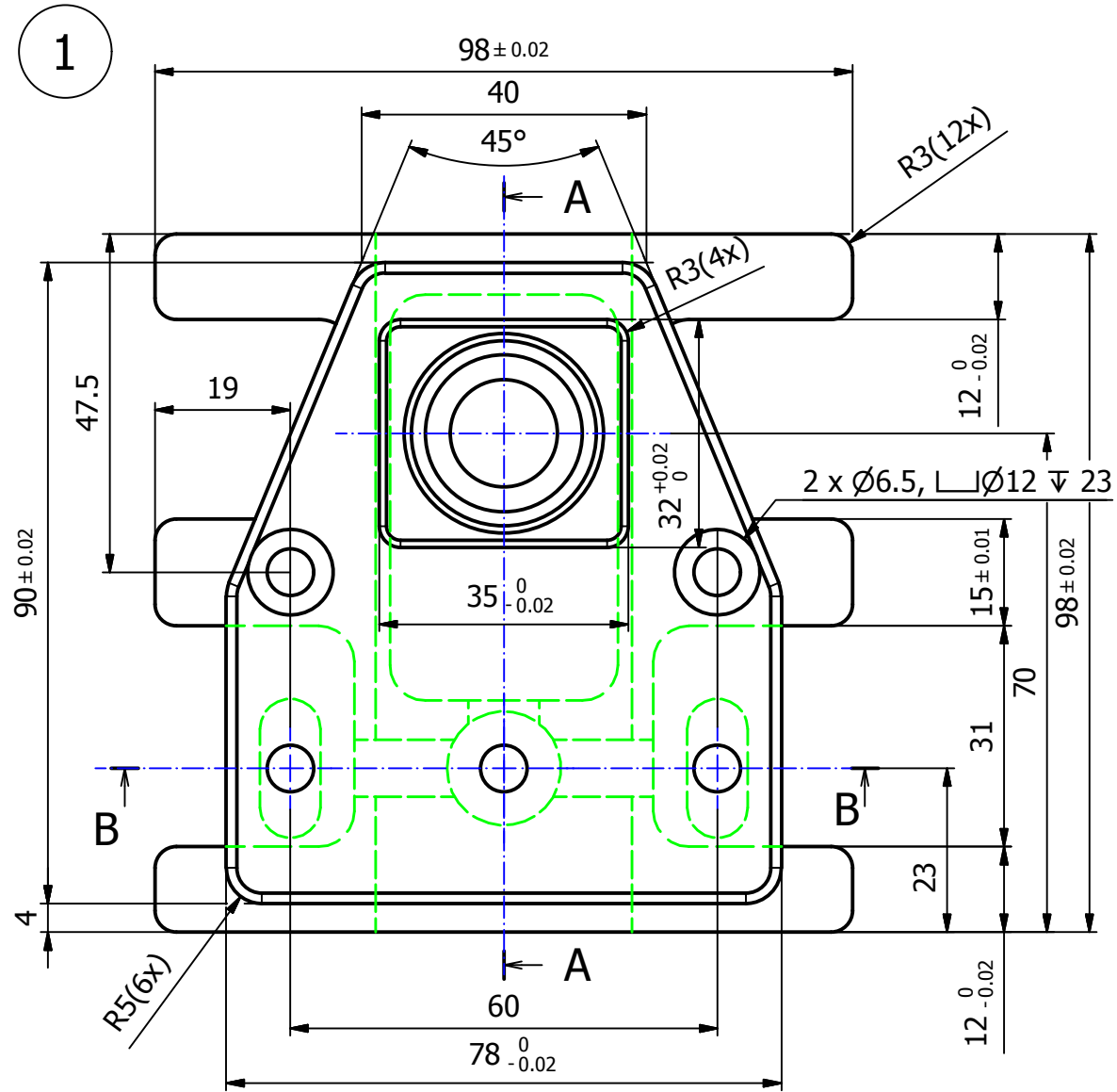
Weld

Use two M6x10 screws on top
Part no. 13

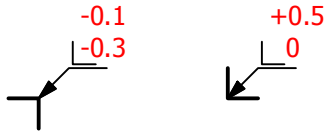
Test Project for 42ND WorldSkills
Competition in Leipzig, Germany 2013.
Copyright © 2011 Worldskills International.
All Rights Reserved.



Skill: 03-Manufacturing Team Challenge			Projection
Scale: -	Date: 22.Jun.2013	Paper: A3	
Drawn / Design by: Tsutomu Imagawa JP			Drawing No:
Description: Counter Assembly			Rev: Page:



NOTES
1. General Chamfers - ISO 13745

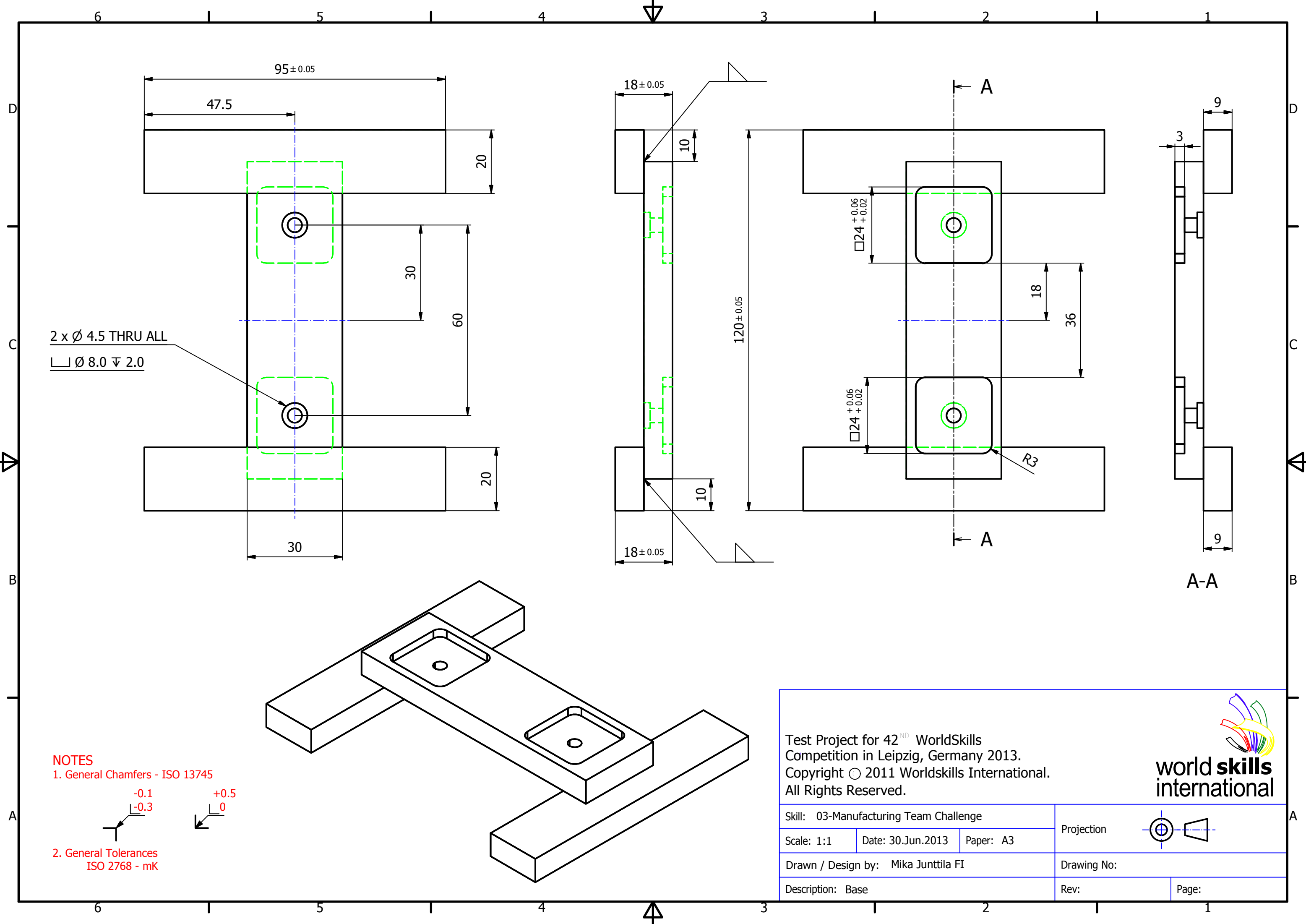


2. General Tolerances
ISO 2768 - mK

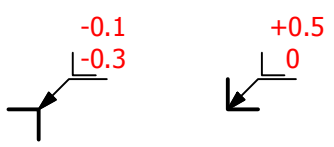
Test Project for 42ND WorldSkills
Competition in Leipzig, Germany 2013.
Copyright © 2011 Worldskills International.
All Rights Reserved.



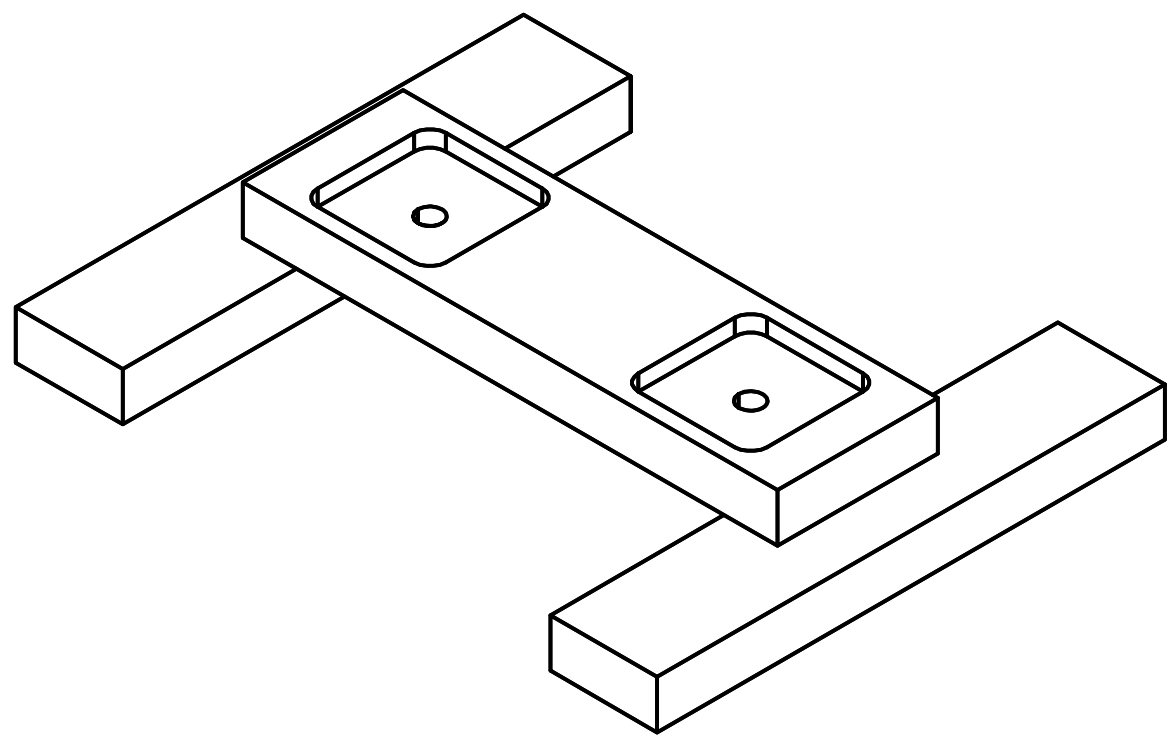
Skill: 03-Manufacturing Team Challenge			Projection	
Scale: 1:1	Date: 22.Jun.2013	Paper: A3		
Drawn / Design by: Tsutomu Imagawa JP			Drawing No:	
Description: Base			Rev:	Page:



NOTES
 1. General Chamfers - ISO 13745



2. General Tolerances
 ISO 2768 - mK

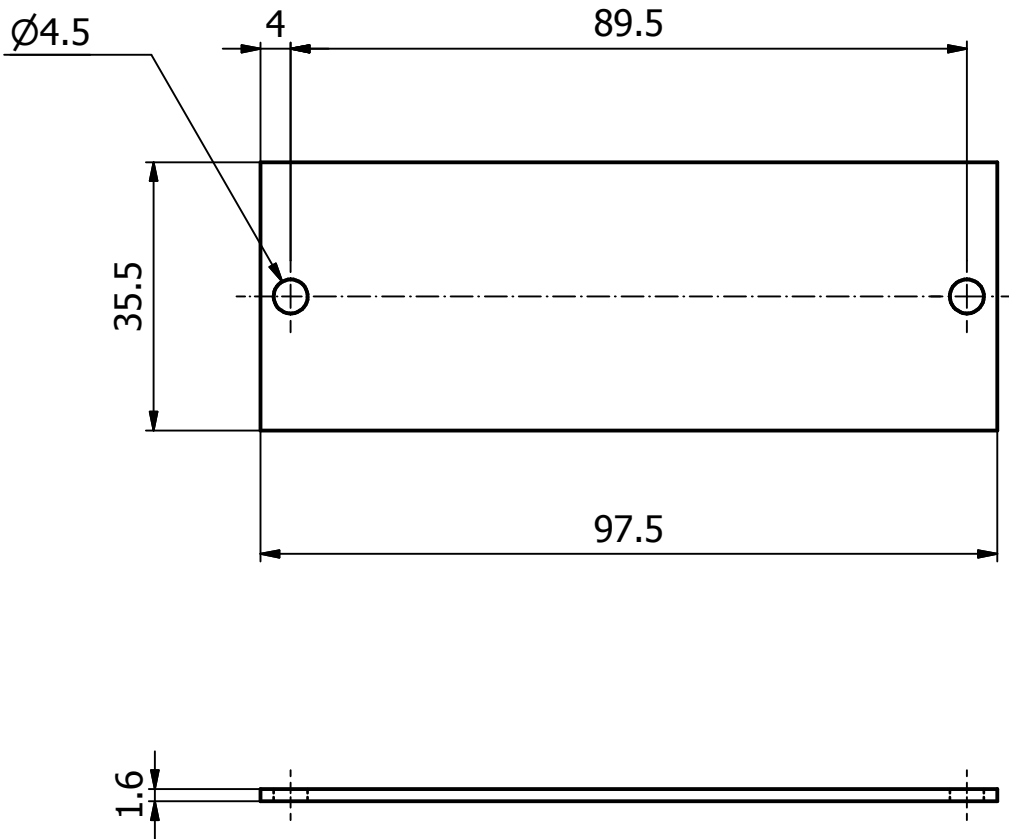


Test Project for 42ND WorldSkills
 Competition in Leipzig, Germany 2013.
 Copyright © 2011 Worldskills International.
 All Rights Reserved.



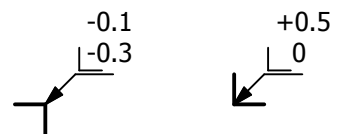
Skill: 03-Manufacturing Team Challenge			Projection	
Scale: 1:1	Date: 30.Jun.2013	Paper: A3		
Drawn / Design by: Mika Junttila FI			Drawing No:	
Description: Base			Rev:	Page:

4



NOTES

1. General Chamfers - ISO 13745



2. General Tolerances
ISO 2768 - mK

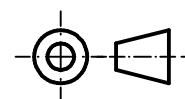
Test Project for 42ND WorldSkills
Competition in Leipzig, Germany 2013.
Copyright © 2011 Worldskills International.
All Rights Reserved.



world skills
international

Skill: 03-Manufacturing Team Challenge

Projection



Scale: 1:1

Date: 22.Jun.2013

Paper: A4

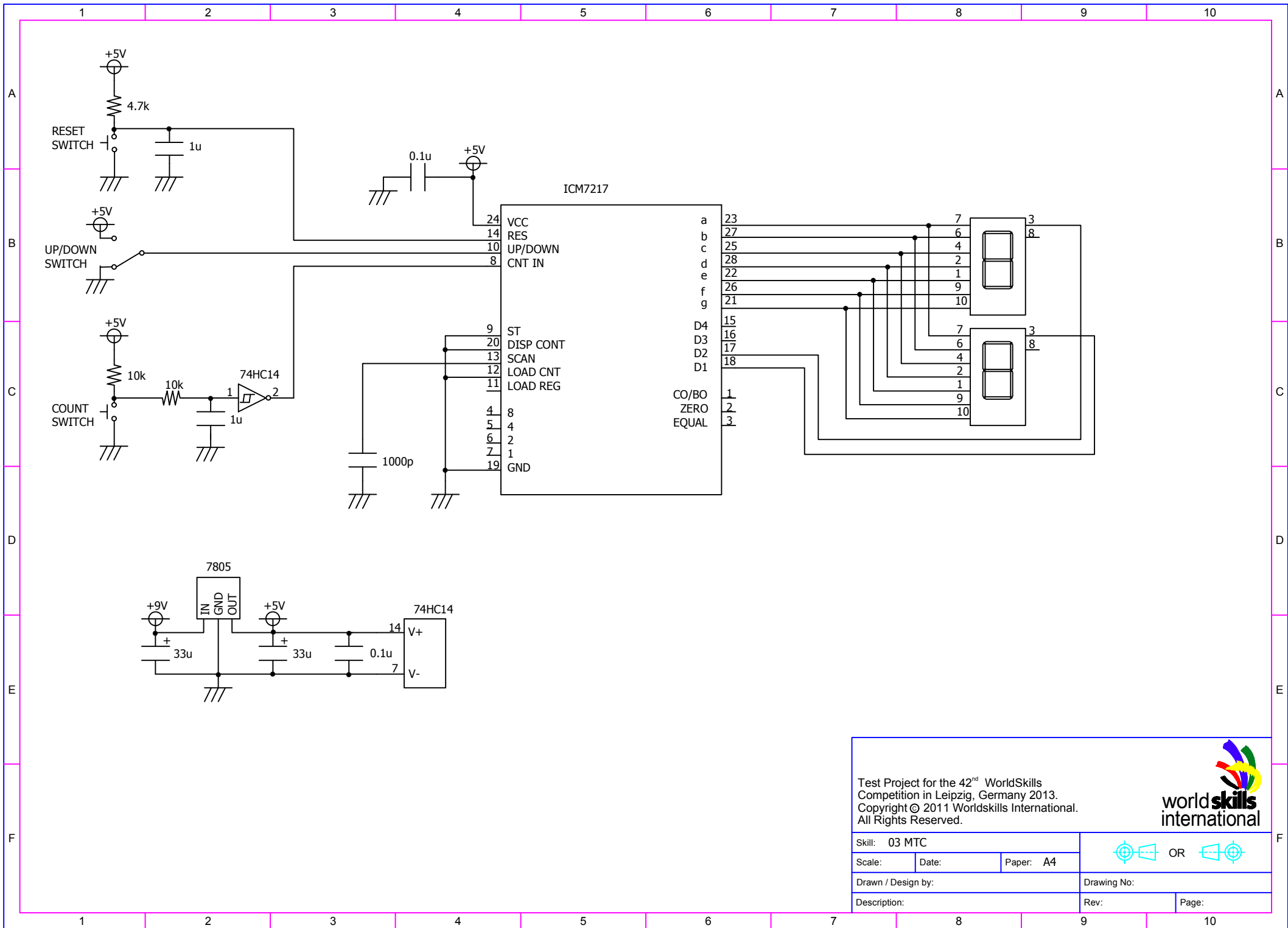
Drawn / Design by: Tsutomu Imagawa JP

Drawing No:

Description: Battely Cover

Rev:

Page:

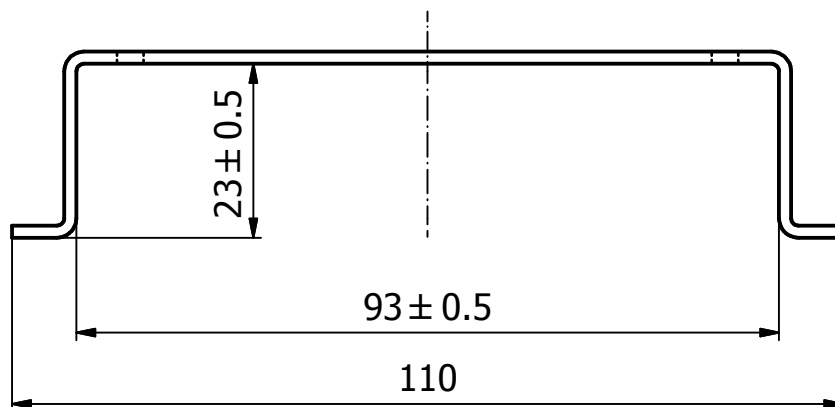
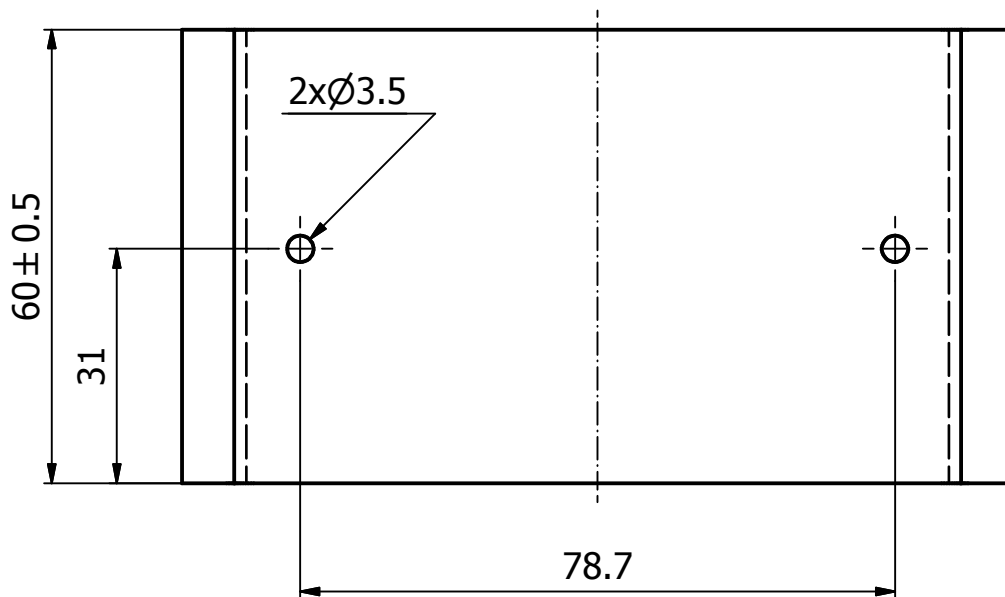


Test Project for the 42nd WorldSkills
 Competition in Leipzig, Germany 2013.
 Copyright © 2011 Worldskills International.
 All Rights Reserved.

worldskills
international

Skill: 03 MTC			OR
Scale:	Date:	Paper: A4	Drawing No:
Description:			Rev:
			Page:

3



Test Project for 42ND WorldSkills
Competition in Leipzig, Germany 2013.
Copyright © 2011 Worldskills International.
All Rights Reserved.



world **skills**
international

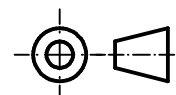
Skill: 03-Manufacturing Team Challenge

Scale: 1:1

Date: 22.Jun.2013

Paper: A4

Projection



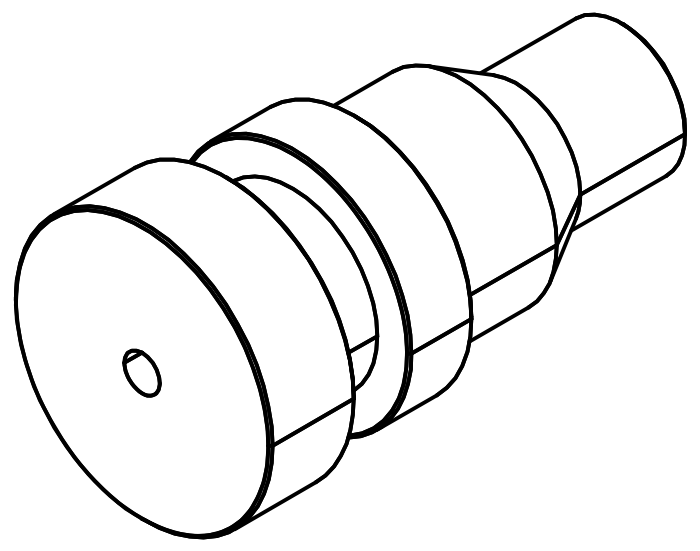
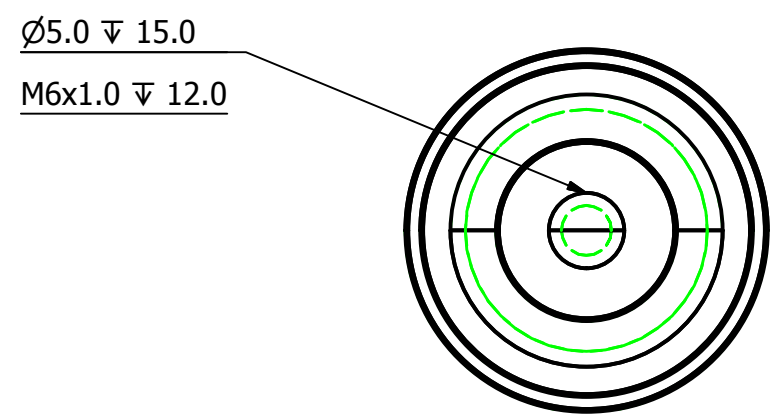
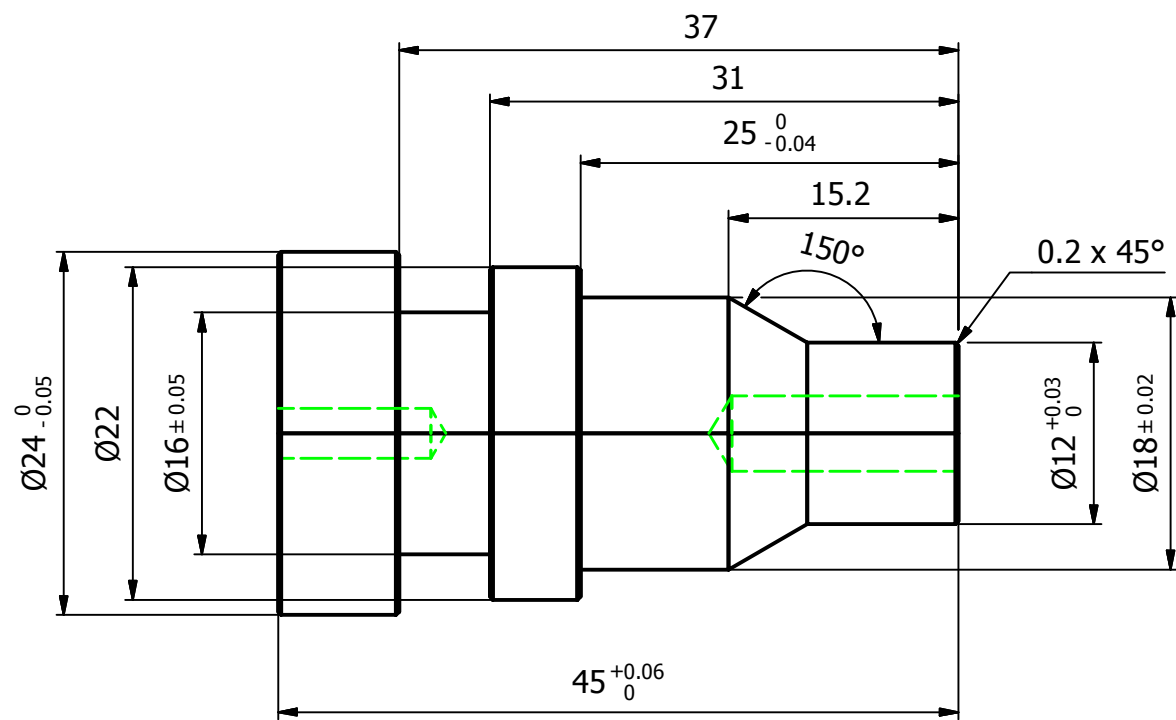
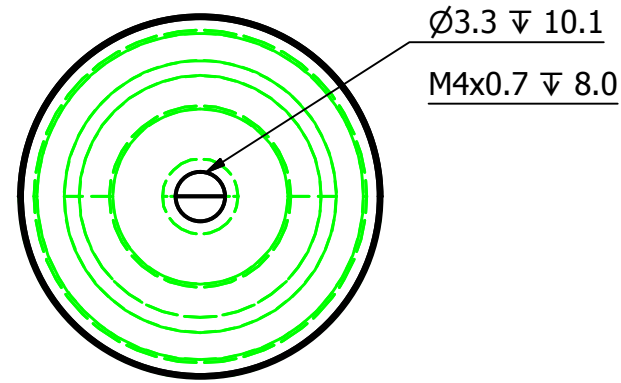
Drawn / Design by: Tsutomu Imagawa JP

Drawing No:

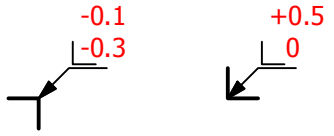
Description: Display Case

Rev:

Page:



NOTES
1. General Chamfers - ISO 13745



2. General Tolerances
ISO 2768 - mK

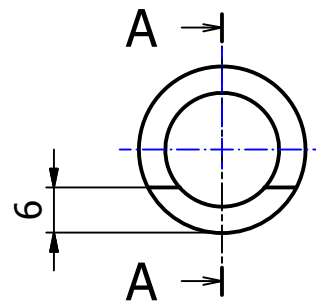
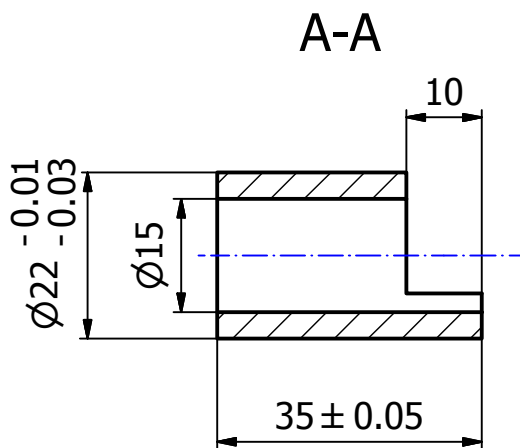
Test Project for 42ND WorldSkills
Competition in Leipzig, Germany 2013.
Copyright © 2011 Worldskills International.
All Rights Reserved.



Skill: 03-Manufacturing Team Challenge			Projection
Scale: 1:1	Date: 30.Jun.2013	Paper: A3	
Drawn / Design by: Mika Junttila FI			Drawing No:
Description: Leg			Rev: Page:

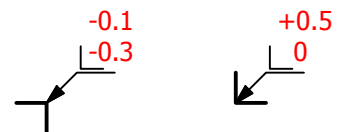
2

Ra 3.2



NOTES

1. General Chamfers - ISO 13745



2. General Tolerances
ISO 2768 - mK

Test Project for 42ND WorldSkills
Competition in Leipzig, Germany 2013.
Copyright © 2011 Worldskills International.
All Rights Reserved.



world skills
international

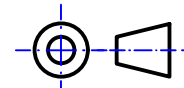
Skill: 03-Manufacturing Team Challenge

Scale: 1:1

Date: 22.Jun.2013

Paper: A4

Projection



Drawn / Design by: Tsutomu Imagawa JP

Drawing No:

Description: Post

Rev:

Page: